

TY-BU-30-50 Retrofit Bulb Specification



Our high-power bulb light using modern high-tech forging technology, built-in the efficient isolation without electrolytic capacitor long life drive power, air-cooled design with a patented, high luminous flux maintenance rate and low wear and tear the whole lamp life of 30,000 hours, and can be completely replacing the high-power energy-saving lamps and mining lamp.

- Wattage: 30 -50 W
- Input Voltage: 100-277V/AC (50-60Hz); Power Factor >0.90
- Light Source: Philips 3030 Ra>80
- Efficacy: up to 90 lm/W; Lumen Output: 2600- 4550(lm)
- Beam Angle: 120°
- Housing: AL+PC
- Operation Temp: -20°C to +50°C
- Limited Warranty: 2 Years
- 70/100/150W MH/HPS Replacement
- Recommended Installation Height:3-6m

Models

| Model No. | Power (W) | Lumen Output (Lm) | | | | Efficacy | Holder | Size (mm) | Weight (kg) |
|-----------|-----------|-------------------|-------|-------|-------|----------|--------|-------------------|-------------|
| | | 3000K | 4000k | 5000K | 6000K | | | | |
| TY-BU-30 | 30 ± 1W | 2600 | 2650 | 2700 | 2750 | 90lm/W | E26/27 | 80(D) x 149(H) mm | 0.3 kg |
| TY-BU-40 | 40 ± 1W | 3500 | 3550 | 3600 | 3650 | 90lm/W | E26/27 | 80(D) x 149(H) mm | 0.38 kg |
| TY-BU-50 | 50 ± 1W | 4400 | 4450 | 4500 | 4550 | 90lm/W | E26/27 | 80(D) x 149(H) mm | 0.38 kg |

Technical Specification

Warranty: These LED products will be free from defects in materials and workmanship for a period of two(2) years from the date of delivery to the end user.

Qualifications: UL Certificate, IESNA LM79&LM-80 Testing

LED Characteristics: 100,000-hours LED lifespan based on IES LM-80 results and TM-21 calculations. Multi-chip, high-output, long-life LEDs. Color Rendering Index>83, R9>18

Ambient Temperature: -20°C to +50°C

Application: Replace MH/HPS lamps, and any applicable lighting fixture with ballast and starter bypassed.

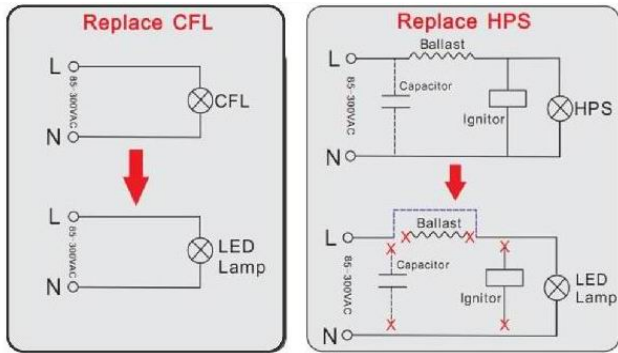
Thermal Management: Active thermal management (Fan) with external Heatsink.

TY-BU-30-50 Retrofit Bulb Specification

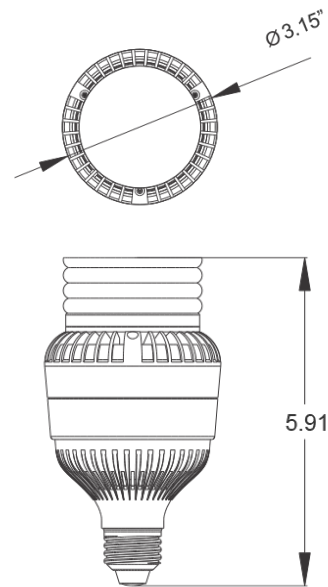
Application

Replace MH/HPS lamps, and any applicable lighting fixture with ballast and starter bypassed.

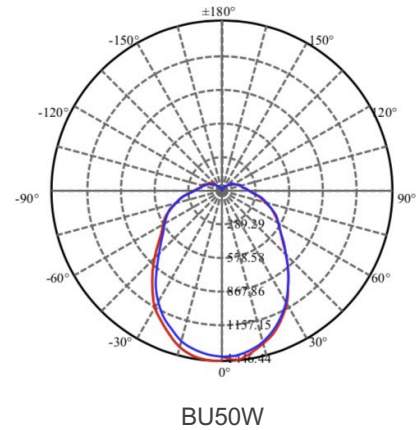
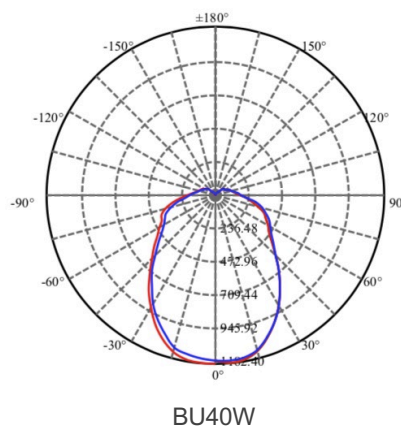
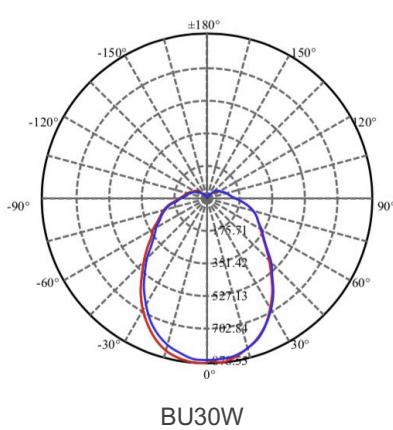
e.g. Factory, Warehouse, Workshop, Exhibition Hall, Gymnasium, Shipyards, Mining, Gas Station, Supermarket, etc.



Dimensions



Light distribution curve



Packing

| Model No: | Power (W) | Inner box (Size: mm) | Outer box (Size: mm) | Net Weight/ Carton (KG) | Gross Weight/ Carton (KG) | Qty/ Carton (PCS) |
|-----------|-------------|------------------------|------------------------|--------------------------|----------------------------|---------------------|
| TY-BU-30 | 30W | 82*82*152 | 448*356*183 | 8.2kg | 8.6kg | 20pcs |
| TY-BU-40 | 40W | | | 8.6kg | 9kg | |
| TY-BU-50 | 50W | | | 8.6kg | 9kg | |

Notice for user:

- Ensure that the lighting in the applicable voltage range
- Do not disassemble lamps